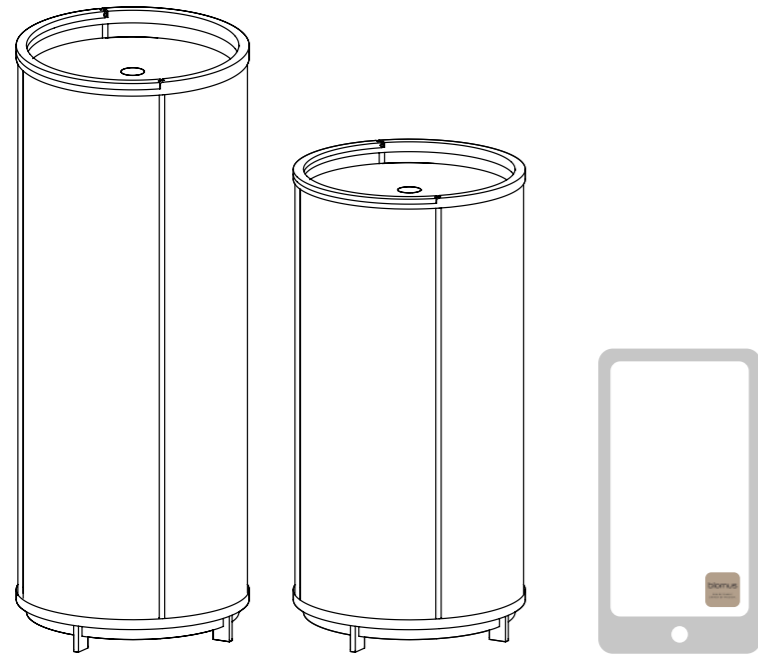


## TAWA blomus App



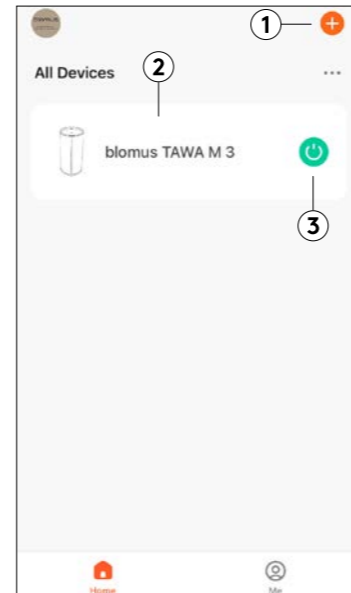
### Instruction manual: blomus App

Available for download on the App Store and Google Play.



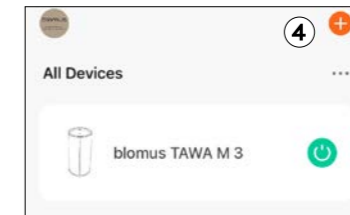
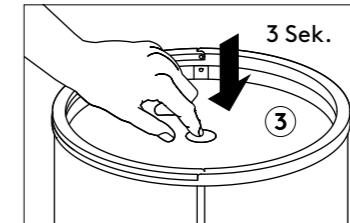
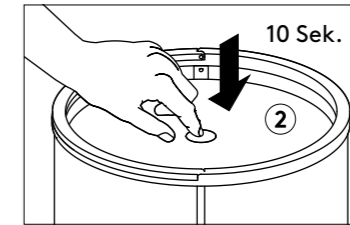
Read the operating instructions carefully before using the lamp for the first time. Please keep these instructions for future reference. If you pass the lamp on to third parties, be sure to include these instructions.

### DEVICE OVERVIEW



- 1 Add device via the + symbol.
- 2 Overview of devices. Access to the device menu for more settings.
- 3 Quick switch light on/ off via the power symbol.

### CONNECTING THE DEVICE TO THE APP FOR THE FIRST TIME



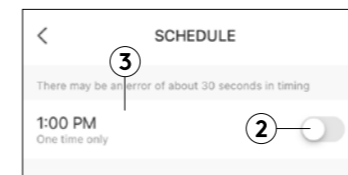
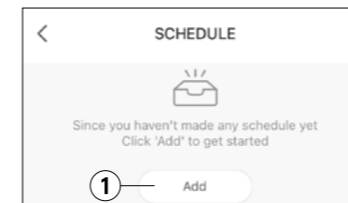
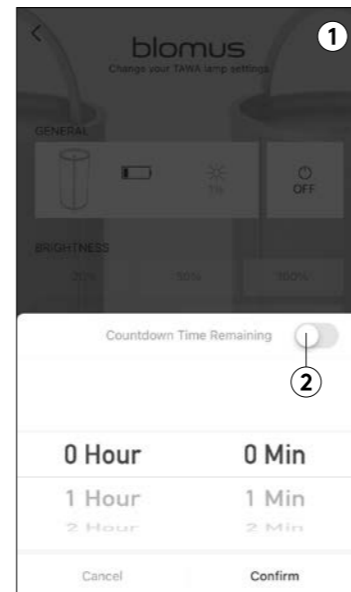
- 1 Add device via the + symbol.
- 2 Reset the device by pushing the control element on the top for 10 seconds until the illuminated ring starts to flash.
- 3 Activate the bluetooth function by pushing the control element on the top for 3 seconds until the illuminated ring starts to flash.
- 4 As soon as the lamp can be connected, the ring lights up continuously and the device appears in the device overview.

### GENERAL SETTINGS



- 1 Access the general settings by selecting the device in the overview.
- 2 Battery level and brightness display.
- 3 Quick switch light on/ off via the power symbol.
- 4 To configure the brightness, a preset can be selected or the desired individual brightness can be set using the control unit.
- 5 To configure the light colour, a preset can be selected or the desired individual light temperature can be set using the control unit.
- 6 Timer settings.
- 7 Schedule settings.
- 8 Additional settings.

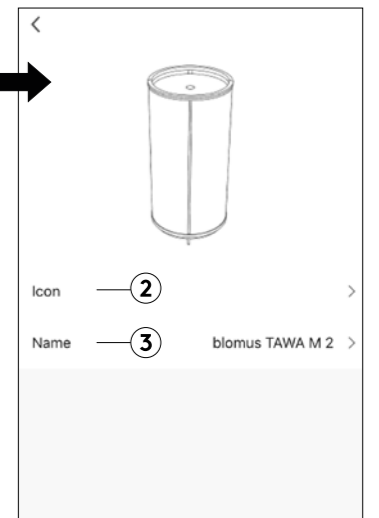
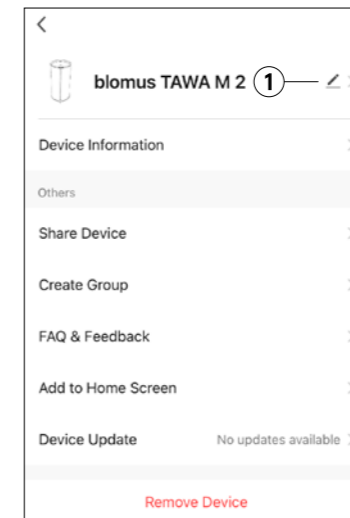
### TIME SETTINGS



- 1 The timer allows the light to be switched on or off with a delay.
- 2 It is possible to display the remaining time.

- 1 Select „Add“ to set a schedule. Any time can be selected. If desired, the timer can be set to repeat. It is possible to add a remark to the timer. The selectable actions of the timer are „On“ and „Off“.
- 2 The saved schedule can be activated and deactivated via the slider.
- 3 By selecting a schedule that has already been created, it can be deleted or edited.

### ADDITIONAL SETTINGS



- 1 By selecting the pen symbol the device can be personalised.
- 2 Optional: Replacing the illustration with a photo.
- 3 Optional: Customise the name of the device.

### Contact information

blomus GmbH  
Zur Hubertushalle 4  
59846 Sundern  
Germany  
www.blomus.com

E-mail: kundenservice@blomus.com  
Telephone: +49 (0)2933 831-130